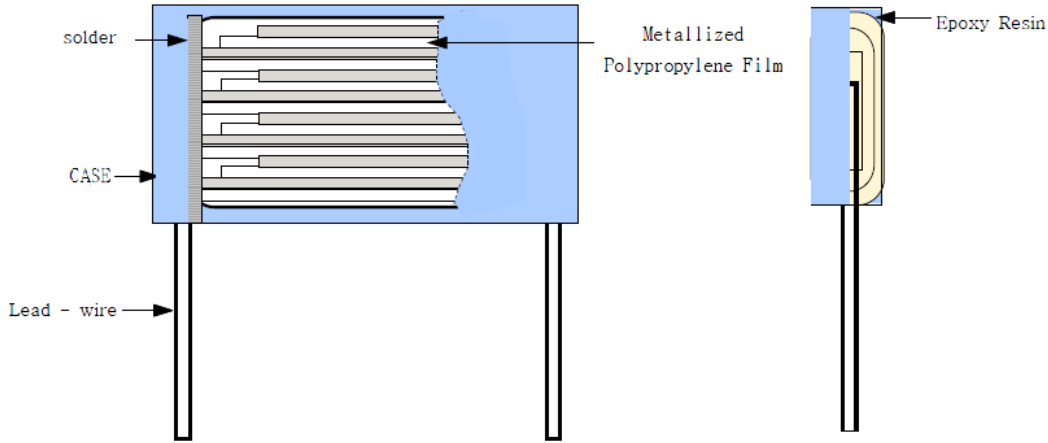


CMPP – SERIES Box Type- X2 Capacitor (Metallized Polypropylene Film)

1. Construction



- 1 Rated Voltage: **AC 250V (UL,CSA), AC 275V (VDE,EK)**
- 2 Capacitance Range: **0.01uF ~ 2.2uF (103~225)**
- 3 Operating temperature : **-40°C ~ +105°C**

2. Dimension

DIMENSION(105°C用CMPP)							
PART No.	ITEM	CAP (μF)	Capacitor Dimension (mm)				
			L	H	T	P	d(Φ)
CMPP AC275V103K10S	CMPP103	0.010	13.0	11.0	5.0	10.0	0.6
CMPP AC275V123K10S	CMPP123	0.012	13.0	11.0	5.0	10.0	0.6
CMPP AC275V153K10S	CMPP153	0.015	13.0	11.0	5.0	10.0	0.6
CMPP AC275V183K10S	CMPP183	0.018	13.0	11.0	5.0	10.0	0.6
CMPP AC275V223K10S	CMPP223	0.022	13.0	12.0	6.0	10.0	0.6
CMPP AC275V273K15S	CMPP273	0.027	18.0	11.0	5.0	15.0	0.6
CMPP AC275V333K15S	CMPP333	0.033	18.0	11.0	5.0	15.0	0.6
CMPP AC275V393K15S	CMPP393	0.039	18.0	11.0	5.0	15.0	0.6
CMPP AC275V473K15S	CMPP473	0.047	18.0	11.0	5.0	15.0	0.6



CMPP – SERIES Box Type- X2 Capacitor (Metallized Polypropylene Film)

PART No.	ITEM	CAP (μ F)	Capacitor Dimension (mm)				
			L	H	T	P	d(Φ)
CMPP AC275V563K15S	CMPP563	0.056	18.0	11.0	5.0	15.0	0.6
CMPP AC275V683K15S	CMPP683	0.068	18.0	12.0	6.0	15.0	0.6
CMPP AC275V823K10S	CMPP823	0.082	13.0	12.0	6.0	10.0	0.6
CMPP AC275V823K15S	CMPP823	0.082	18.0	12.0	6.0	15.0	0.6
CMPP AC275V104K10S	CMPP104	0.100	13.0	13.0	6.0	10.0	0.6
CMPP AC275V104K15S	CMPP104	0.100	18.0	12.0	6.0	15.0	0.8
CMPP AC275V124K10S	CMPP124	0.120	13.0	13.0	7.0	10.0	0.6
CMPP AC275V124K15S	CMPP124	0.100	18.0	13.5	7.5	15.0	0.8
CMPP AC275V154K10S	CMPP154	0.150	13.0	14.0	8.0	10.0	0.6
CMPP AC275V154K15S	CMPP154	0.150	18.0	12.0	6.0	15.0	0.8
CMPP AC275V154K15S	CMPP154	0.150	18.0	13.5	7.5	15.0	0.8
CMPP AC275V184K15S	CMPP184	0.180	18.0	12.0	6.0	15.0	0.8
CMPP AC275V184K15S	CMPP184	0.180	18.0	14.5	8.5	15.0	0.8
CMPP AC275V224K10S	CMPP224	0.220	12.5	16.0	6.5	10.0	0.6
CMPP AC275V224K15S	CMPP224	0.220	18.0	13.0	7.0	15.0	0.8
CMPP AC275V224K15S	CMPP224	0.220	18.0	14.5	8.5	15.0	0.8
CMPP AC275V224K15S	CMPP224	0.220	18.0	17.5	9.5	15.0	0.8
CMPP AC275V224K22.5S	CMPP224	0.220	26.0	15.0	6.0	22.5	0.8
CMPP AC275V224K22.5S	CMPP224	0.220	26.5	16.0	7.0	22.5	0.8
CMPP AC275V274K15S	CMPP274	0.270	18.0	14.5	7.5	15.0	0.8
CMPP AC275V274K22.5S	CMPP224	0.220	26.5	17.0	8.5	22.5	0.8
CMPP AC275V334K10S	CMPP334	0.330	12.5	19.0	8.0	10.0	0.6
CMPP AC275V334K15S	CMPP334	0.330	18.0	14.5	8.5	15.0	0.8
CMPP AC275V334K15S	CMPP334	0.330	18.0	15.5	8.0	15.0	0.8
CMPP AC275V334K22.5S	CMPP334	0.330	26.0	17.0	7.0	22.5	0.8
CMPP AC275V334K22.5S	CMPP334	0.330	26.5	17.0	8.5	22.5	0.8
CMPP AC275V394K15S	CMPP394	0.390	18.0	17.0	8.0	15.0	0.8
CMPP AC275V394K22.5S	CMPP394	0.390	26.5	19.0	10.0	22.5	0.8
CMPP AC275V474K10S	CMPP474	0.470	12.5	20.0	10.0	10.0	0.6
CMPP AC275V474K15S	CMPP474	0.470	18.0	16.0	10.0	15.0	0.8
CMPP AC275V474K15S	CMPP474	0.470	18.0	18.0	9.0	15.0	0.8
CMPP AC275V474K22.5S	CMPP474	0.470	26.0	17.0	8.5	22.5	0.8
CMPP AC275V474K22.5S	CMPP474	0.470	26.5	19.0	10.0	22.5	0.8
CMPP AC275V474K27.5S	CMPP474	0.470	32.0	20.0	11.0	27.5	0.8
CMPP AC275V564K15S	CMPP564	0.560	18.0	19.0	10.0	15.0	0.8
CMPP AC275V564K22.5S	CMPP564	0.560	26.0	16.5	7.5	22.5	0.8
CMPP AC275V564K27.5S	CMPP474	0.560	32.0	20.0	11.0	27.5	0.8
CMPP AC275V684K15S	CMPP684	0.680	18.0	18.5	11.0	15.0	0.8



CMPP – SERIES Box Type- X2 Capacitor (Metallized Polypropylene Film)

PART No.	ITEM	CAP (μF)	Capacitor Dimension (mm)				
			L	H	T	P	d(Φ)
CMPP AC275V684K22.5S	CMPP684	0.680	26.0	17.0	8.0	22.5	0.8
CMPP AC275V684K22.5S	CMPP684	0.680	26.0	19.0	10.0	22.5	0.8
CMPP AC275V684K27.5S	CMPP684	0.680	32.0	20.0	11.0	27.5	0.8
CMPP AC275V824K22.5S	CMPP824	0.820	26.0	18.0	9.0	22.5	0.8
CMPP AC275V824K27.5S	CMPP824	0.820	32.0	22.0	13.0	27.5	0.8
CMPP AC275V105K15S	CMPP105	1.000	18.0	21.0	10.5	15.0	0.8
CMPP AC275V105K22.5S	CMPP105	1.000	26.0	19.0	10.0	22.5	0.8
CMPP AC275V105K22.5S	CMPP105	1.000	26.0	20.0	11.0	22.5	0.8
CMPP AC275V105K27.5S	CMPP105	1.000	32.0	22.0	13.0	27.5	0.8
CMPP AC275V125K27.5S	CMPP125	1.200	31.0	22.0	13.0	27.5	0.8
CMPP AC275V125K27.5S	CMPP125	1.200	32.0	24.0	15.0	27.5	0.8
CMPP AC275V155K22.5S	CMPP155	1.500	26.0	22.0	12.0	22.5	0.8
CMPP AC275V155K27.5S	CMPP155	1.500	31.0	25.0	15.0	27.5	0.8
CMPP AC275V155K27.5S	CMPP155	1.500	32.0	24.0	15.0	27.5	0.8
CMPP AC275V155K27.5S	CMPP155	1.500	32.0	27.0	17.5	27.5	0.8
CMPP AC275V185K27.5S	CMPP185	1.800	32.0	27.0	17.5	27.5	0.8
CMPP AC275V205K27.5S	CMPP205	2.000	31.0	30.0	18.0	27.5	0.8
CMPP AC275V225K22.5S	CMPP225	2.200	26.0	25.0	15.0	22.5	0.8
CMPP AC275V225K27.5S	CMPP225	2.200	31.0	30.0	18.0	27.5	0.8
CMPP AC275V225K27.5S	CMPP225	2.200	32.0	33.0	18.0	27.5	0.8

3. Type Designation

